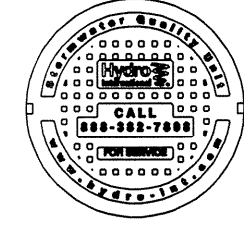
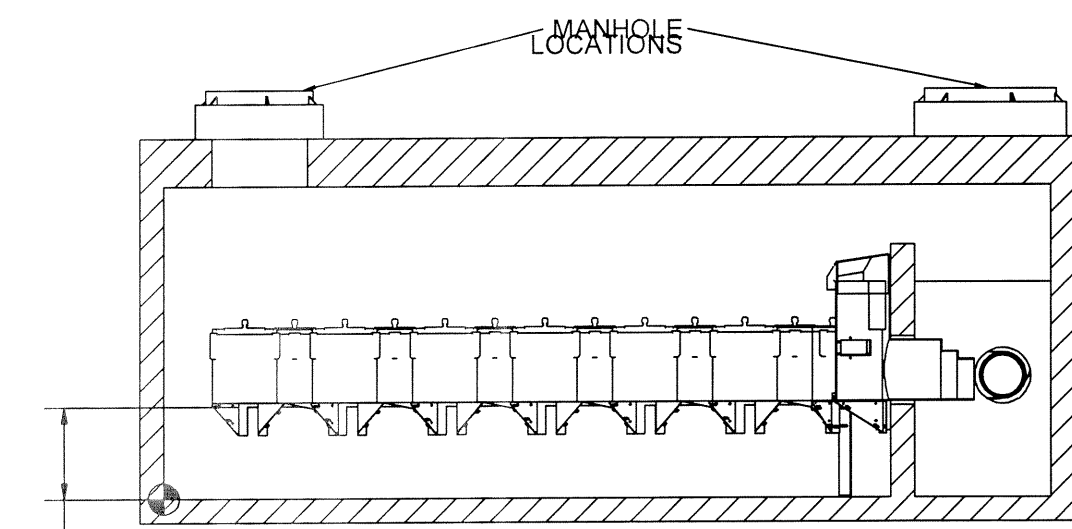


1. STRUCTURE WALL AND SLAB THICKNESSES ARE NOT TO SCALE
2. CONTACT HYDRO INTERNATIONAL FOR A BOTTOM OF STRUCTURE ELEVATION PRIOR TO SETTING THE STRUCTURE
3. NOT FOR CONSTRUCTION CONTACT HYDRO FOR SITE SPECIFIC DRAWING
4. NOT ALL SIZES AVAILABLE IN ALL AREAS
5. SUMP DEPTH AVAILABLE IN 24" (610mm) CPZ, RIBBONS AND 36" (914mm) LONG RIBBONS DEPTH

SECTION B-B



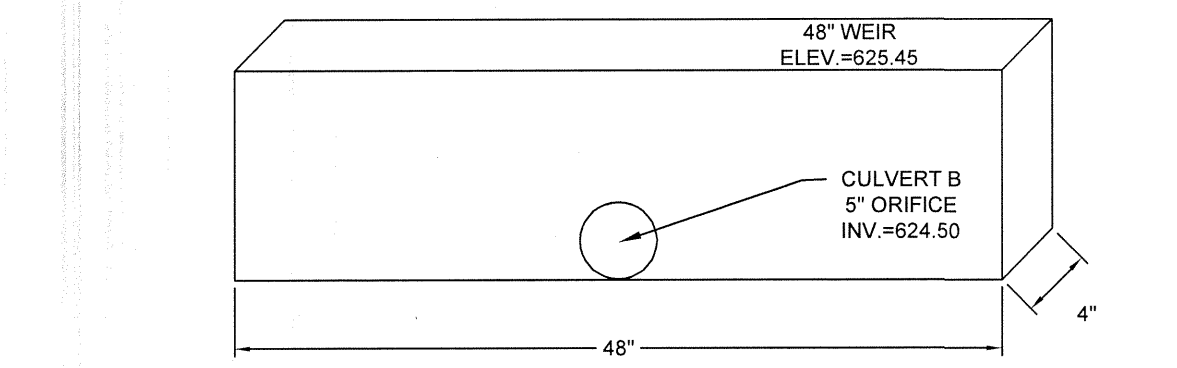
- CAPACITIES:**
- Minimum performance: 80% removal. Washington DOE/NJCAT verified at the peak treatment flow.
 - Peak treatment flow:
 - .033 CFS (0.9 LPS) (15 GPM) per module (Ribbons)
 - .022 CFS (0.6 LPS) (10 GPM) per module (Long Ribbons)
 - .056 CFS (1.6 LPS) (25 GPM) per module (CPZ)
 - Maximum number of ribbon modules per outlet module: 36
 - Maximum number of CPZ modules per outlet module: 18 (contract Hydro if more are required)
- ADDITIONAL DESIGN INFORMATION:**
- Normal operating W.S.E. is 26'-30" (660-762mm) above the outlet invert
 - Media Types Available: Ribbons, CPZ



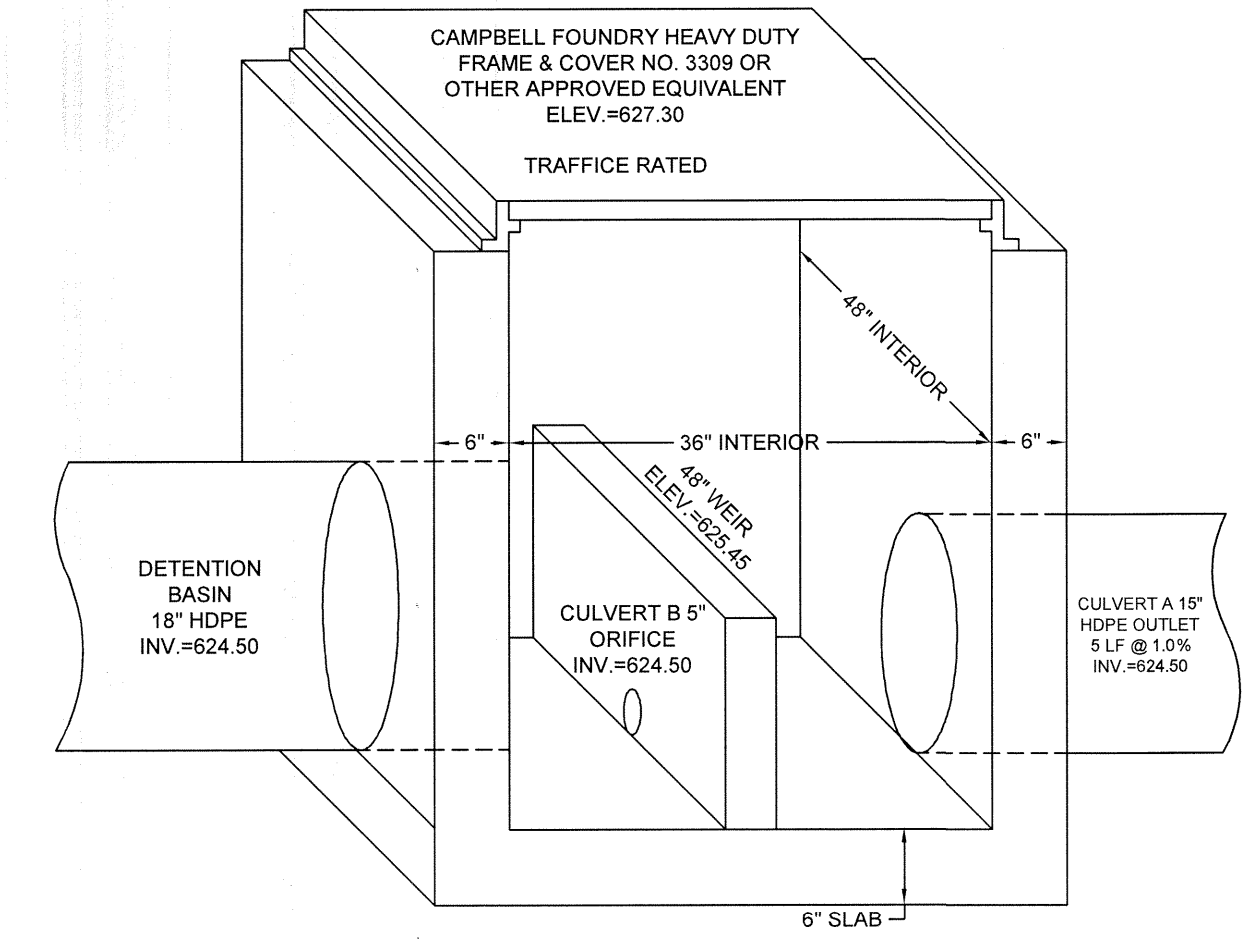
SECTION A-A

WATER QUALITY UNIT 2 DETAIL

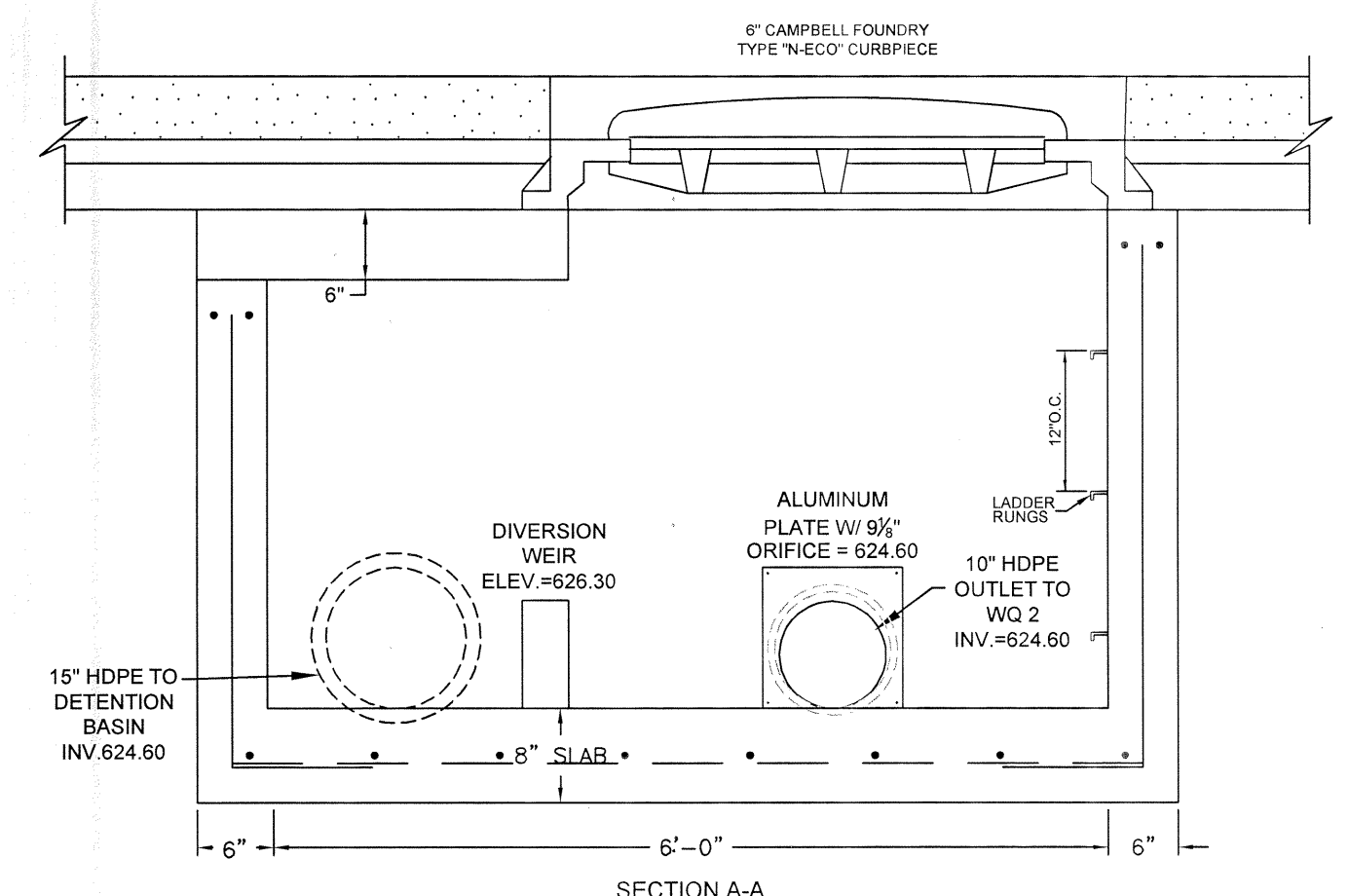
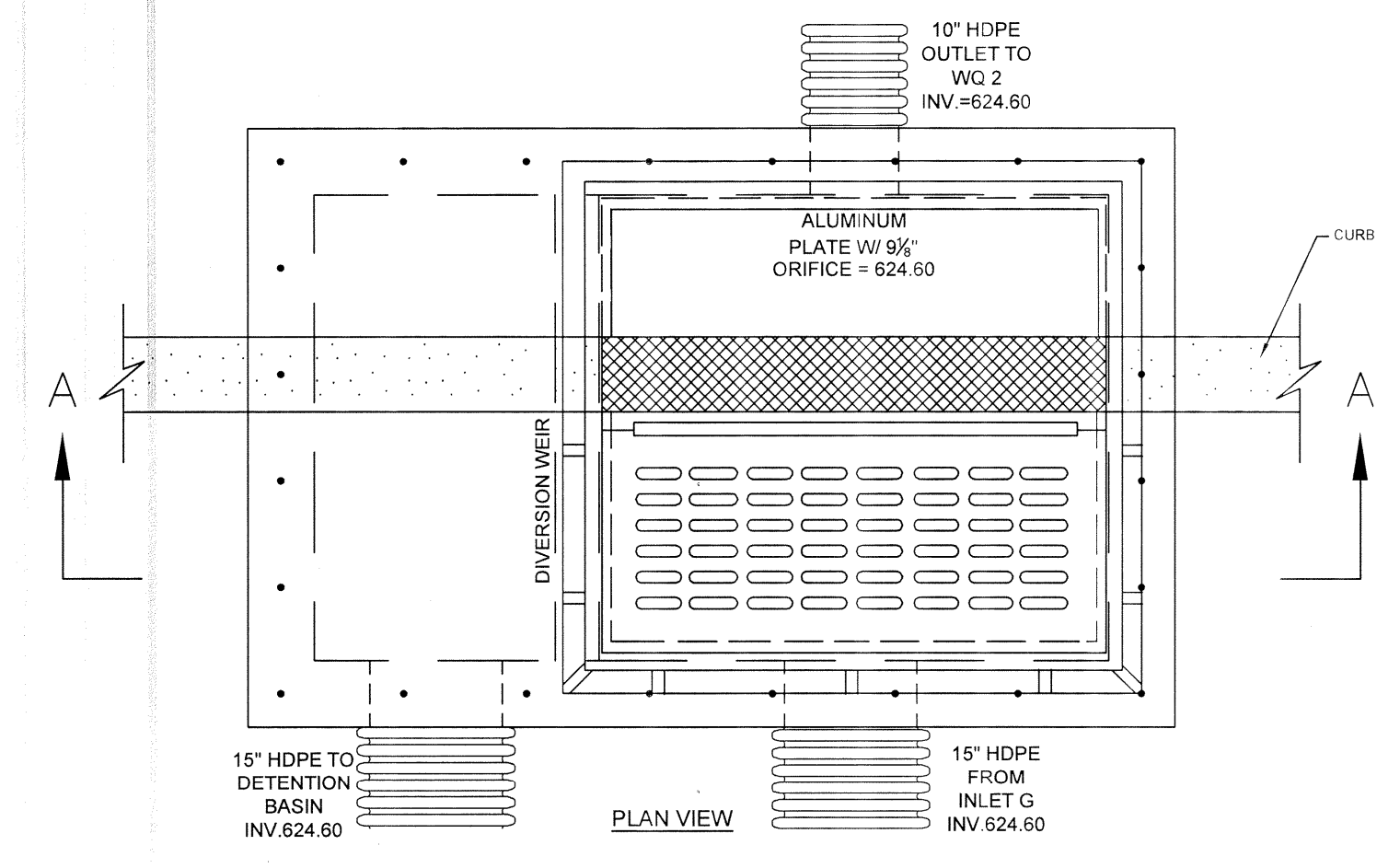
N.T.S.
UP-FLO FILTER BY HYDRO-INTERNATIONAL



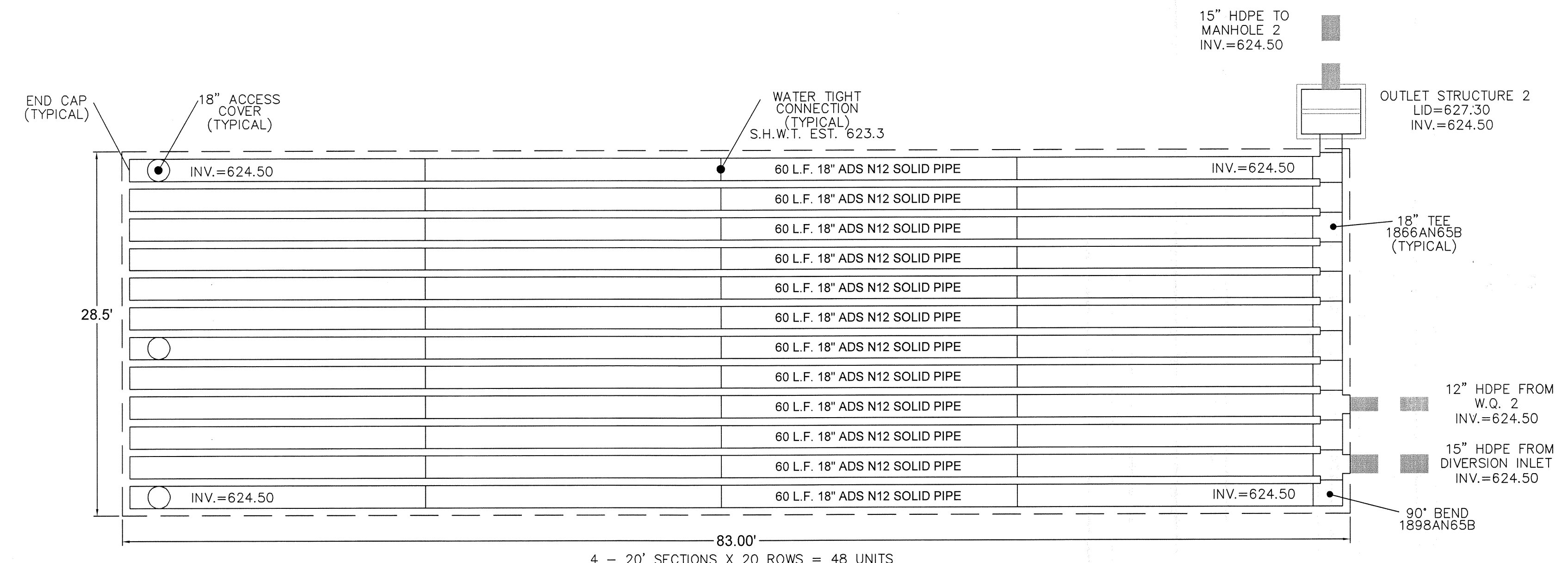
OUTLET STRUCTURE 2 WIER WALL DETAIL
N.T.S.



OUTLET STRUCTURE 2 DETAIL
N.T.S.



DIVERSION INLET E DETAIL
N.T.S.



UNDERGROUND DETENTION BASIN B PLAN VIEW
N.T.S.

ALFRED A. STEWART, JR.
Alfred A. Stewart 11/25/20
DATE: 08-10-2020
NJ PROFESSIONAL ENGINEER & LAND SURVEYOR, LIC. No. 24GB03588300

1	11-25-2020	PER MUNICIPAL & COUNTY COMMENTS	G.B.S.
REV.	DATE	DESCRIPTION	BY
CONSTRUCTION DETAILS FOR			
170 NORTH MAIN STREET			
LOT 1 BLOCK 301			
BOROUGH OF WHARTON, MORRIS COUNTY, N.J.			
STEWART SURVEYING & ENGINEERING, LLC		DRAWN BY: G.B.S.	SCALE: 1"=30'
148 EAST MAIN STREET SUITE 1 ROCKAWAY, N.J. 07866		PHONE: 973-586-3736 FAX: 973-586-3739 SIRVEYOR@VERIZON.NET	FILE No. 17-113 DWG 17113.DWG
CERTIFICATE OF AUTHORIZATION No. 24GA28093800			12

LAYOUT DETAIL 52