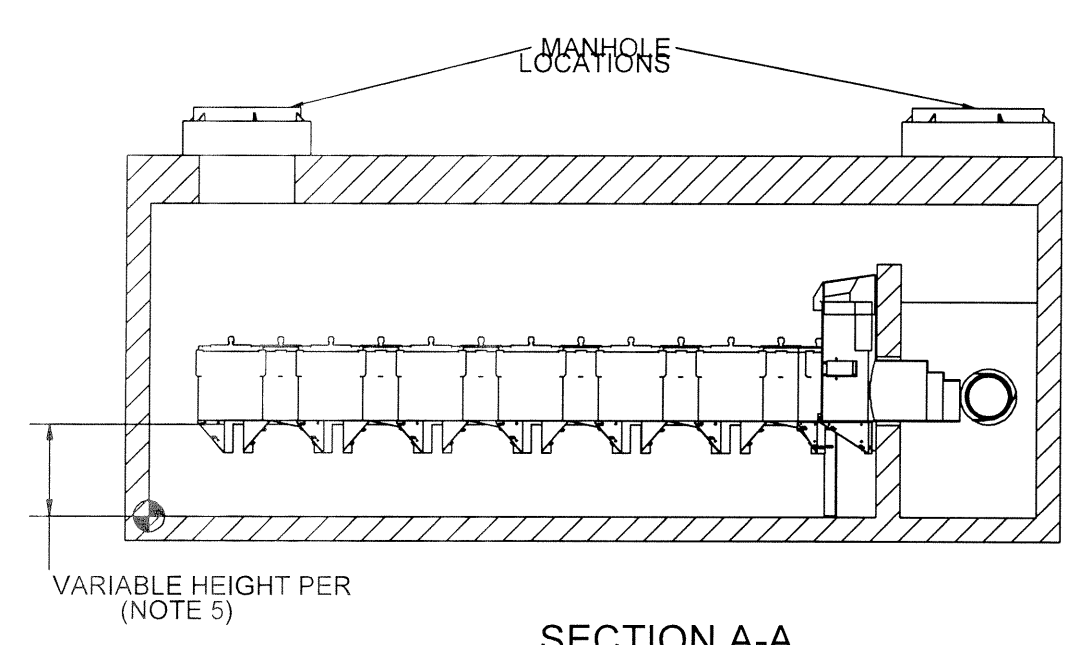


RIM: VARIES  
T.O.S.: VARIES  
WEIR: 53.5 in [1359 mm]  
INLET: 24.0 in [610 mm]  
OUTLET: 24.0 in [610 mm]  
SUMP: 0.0 in [0 mm]  
INLET BAY - TRANSFER SLOT



**CAPACITIES:**

- Minimum performance: 80% removal. Washington DOE/NJCAT verified at the peak treatment flow.
- Peak treatment flow:
  - .033 CFS (0.9 LPS) (15 GPM) per module (Ribbons)
  - .022 CFS (0.6 LPS) (10 GPM) per module (Long Ribbons)
  - .056 CFS (1.6 LPS) (25 GPM) per module (CPZ)
- Maximum number of ribbon modules per outlet module: 36
- Maximum number of CPZ modules per outlet module: 18 (contract Hydro if more are required)

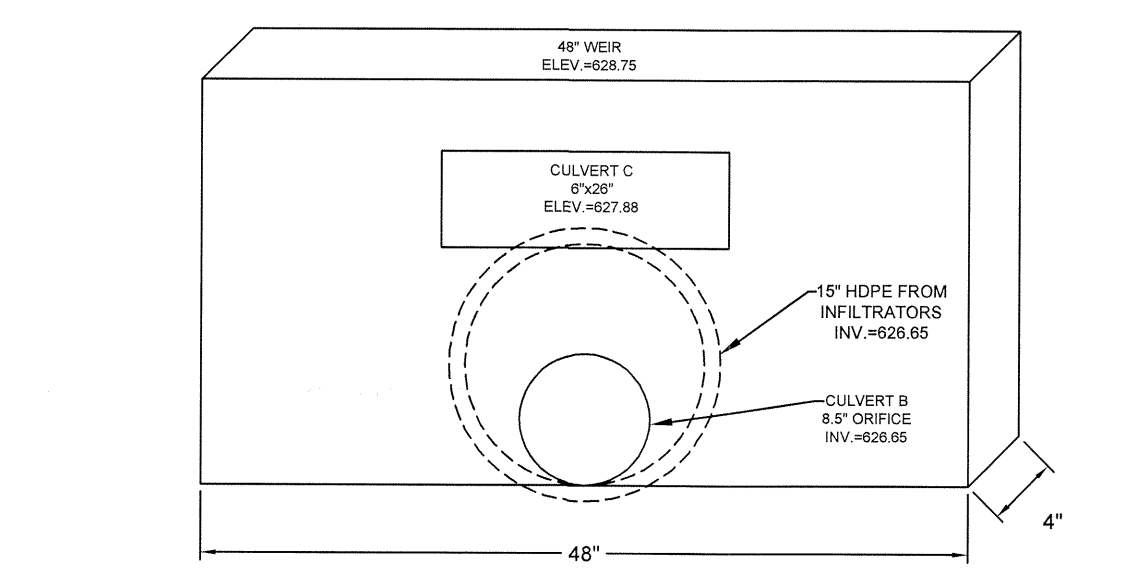
**ADDITIONAL DESIGN INFORMATION:**

- Normal operating W.S.E. is 26'-30" (660-762mm) above the outlet invert
- Media Types Available: Ribbons, CPZ

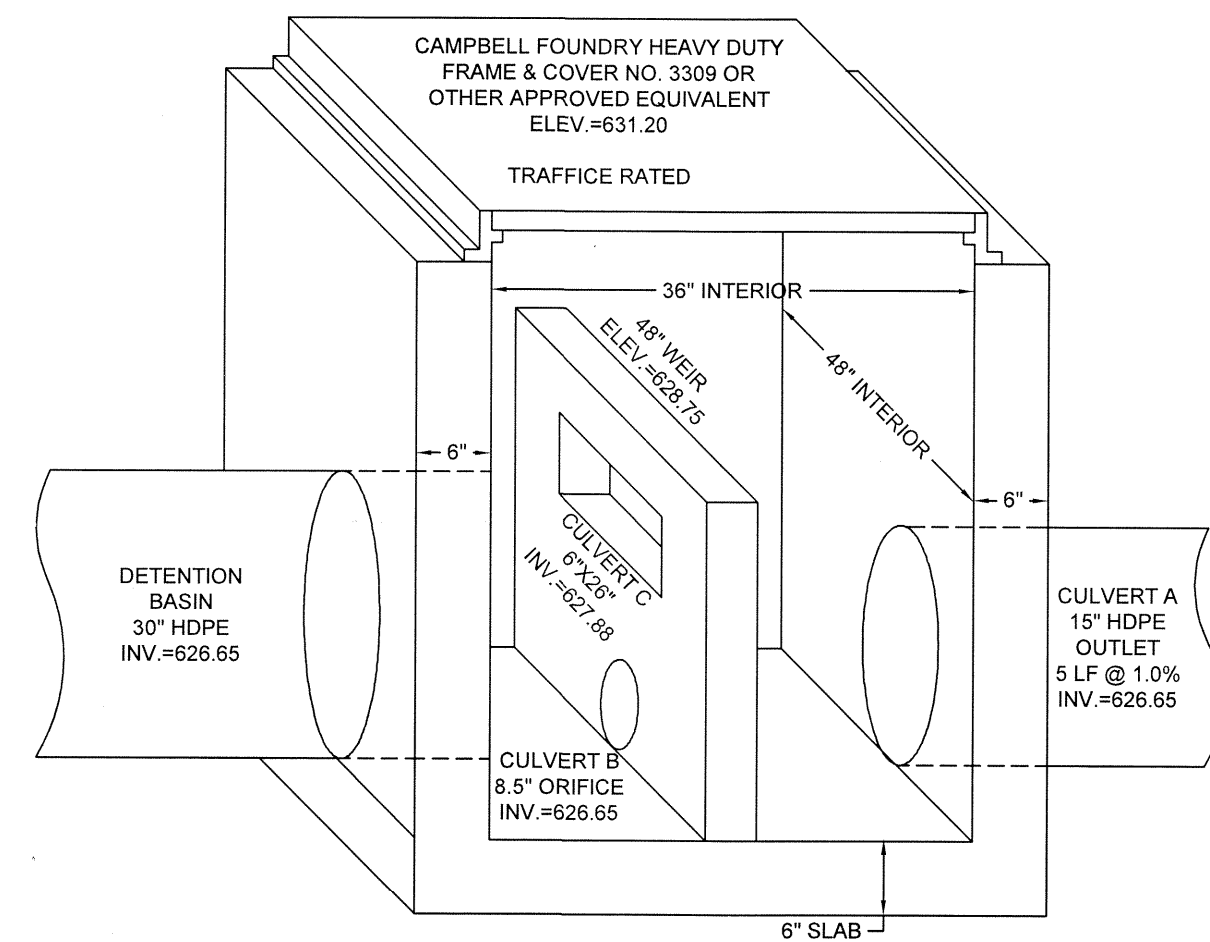
**WATER QUALITY UNIT 1 DETAIL**

N.T.S.  
UP-FLO FILTER BY HYDRO-INTERNATIONAL

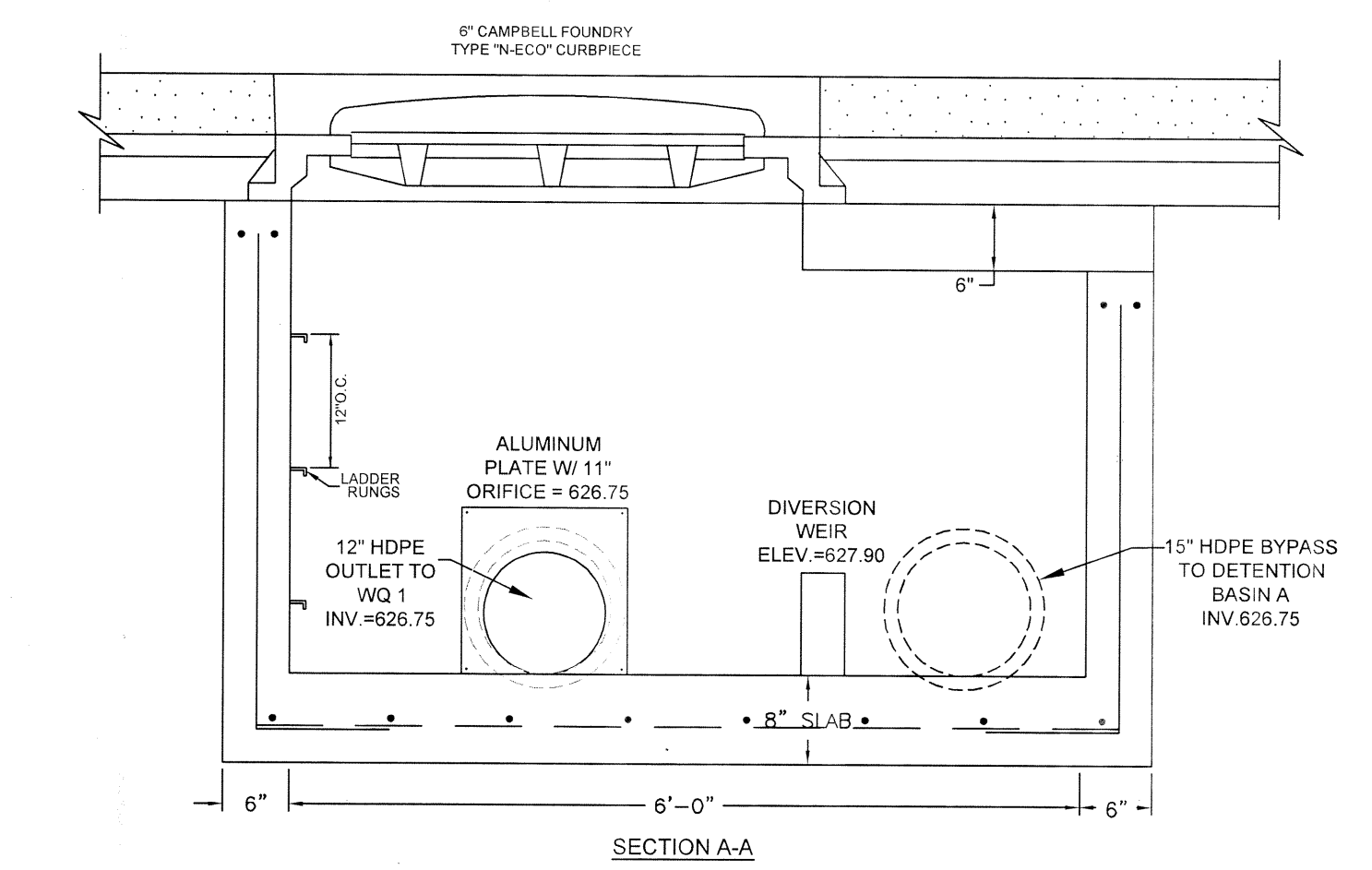
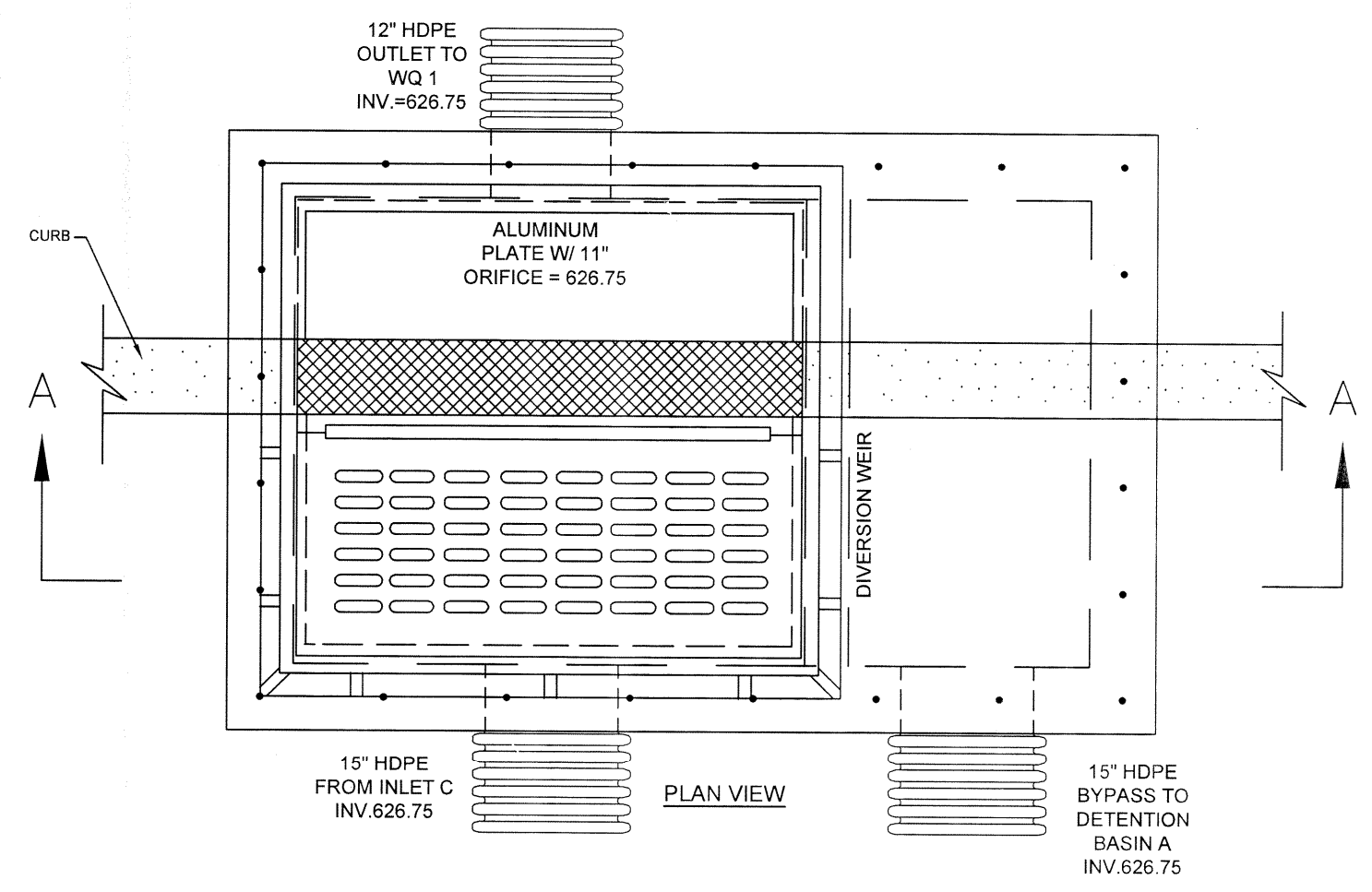
- STRUCTURE WALL AND SLAB THICKNESSES ARE NOT TO SCALE
- CONTACT HYDRO INTERNATIONAL FOR A BOTTOM OF STRUCTURE ELEVATION PRIOR TO SETTING THE STRUCTURE
- NOT FOR CONSTRUCTION CONTACT HYDRO FOR SITE SPECIFIC DRAWING
- NOT ALL SIZES AVAILABLE IN ALL AREAS
- SUMP DEPTH AVAILABLE IN 24" (610mm) CPZ, RIBBONS AND 36" (914mm) LONG RIBBONS DEPTH



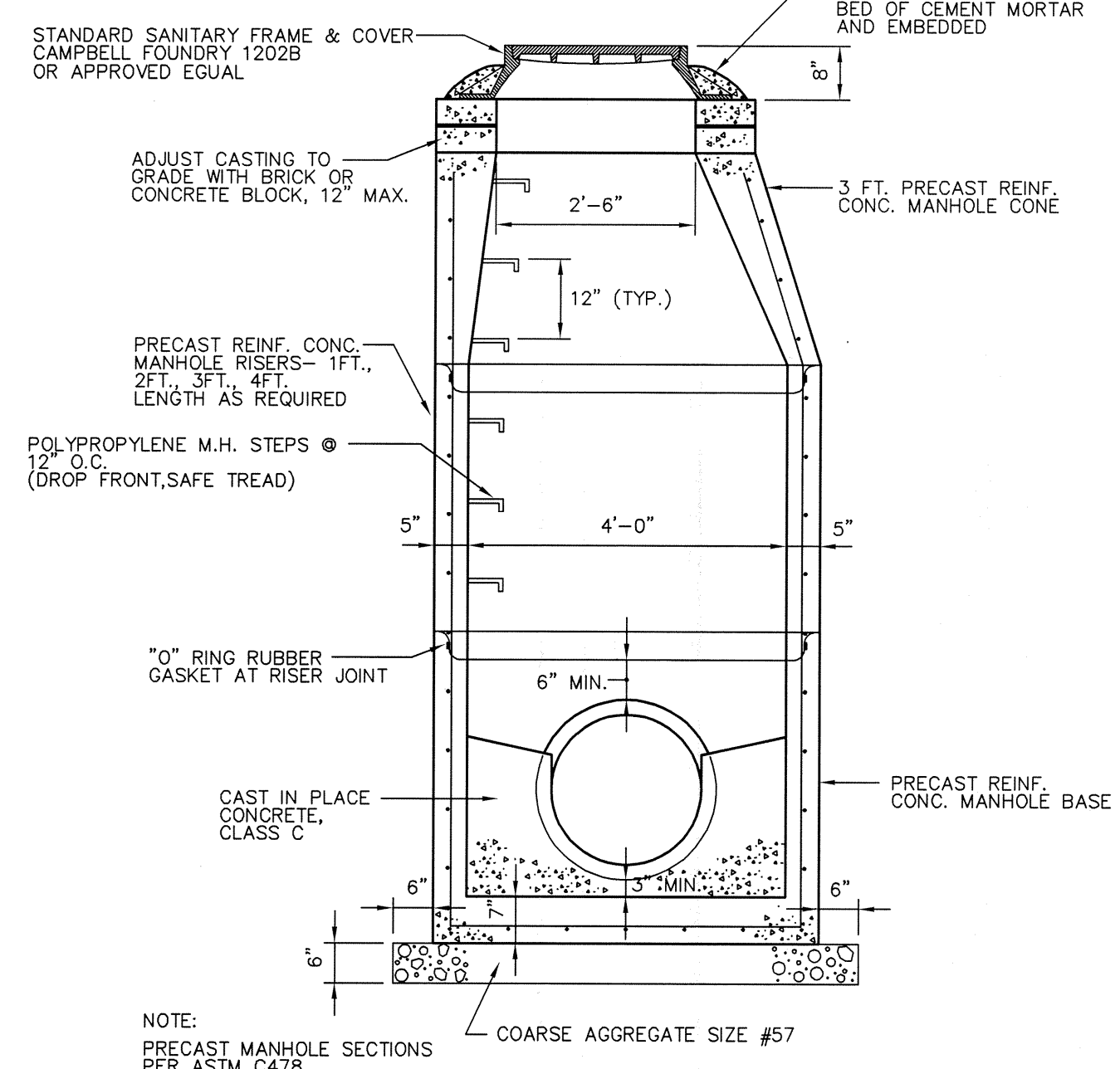
N.T.S.



N.T.S.

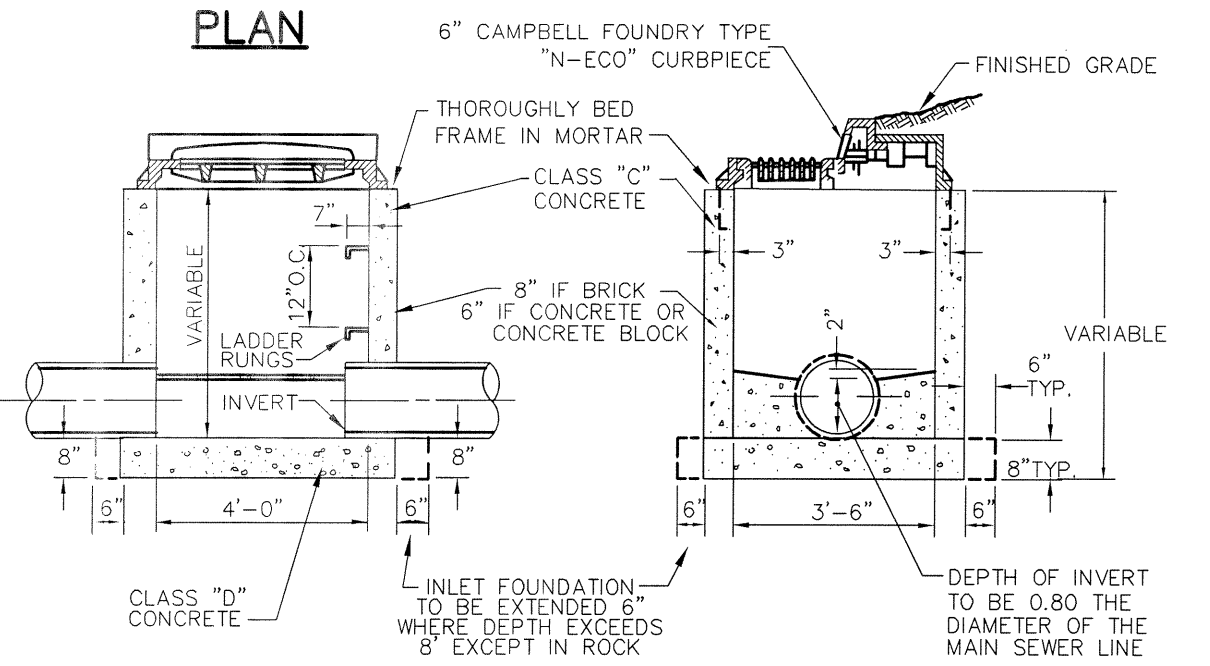
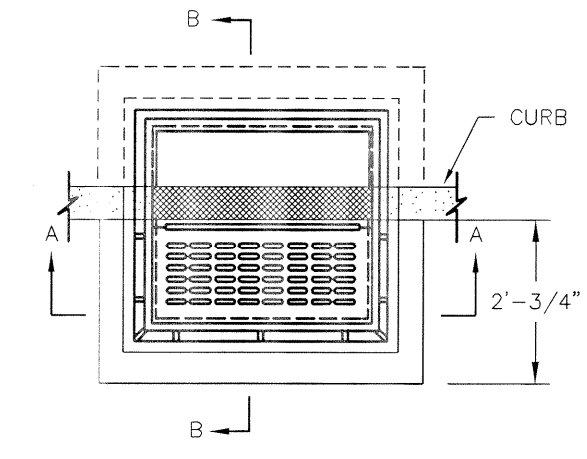


N.T.S.

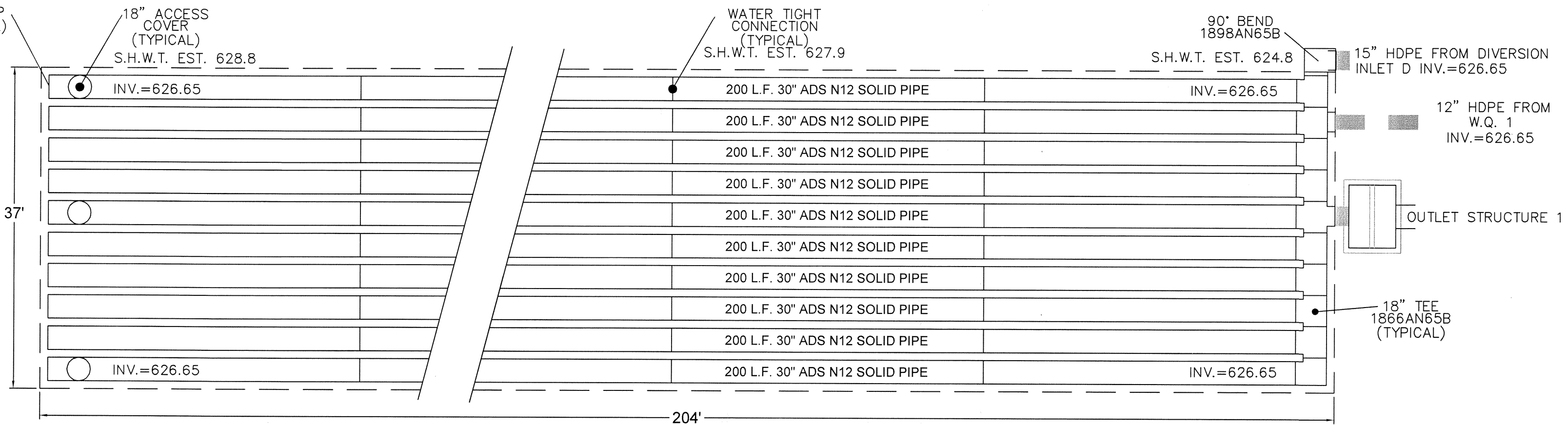


N.T.S.

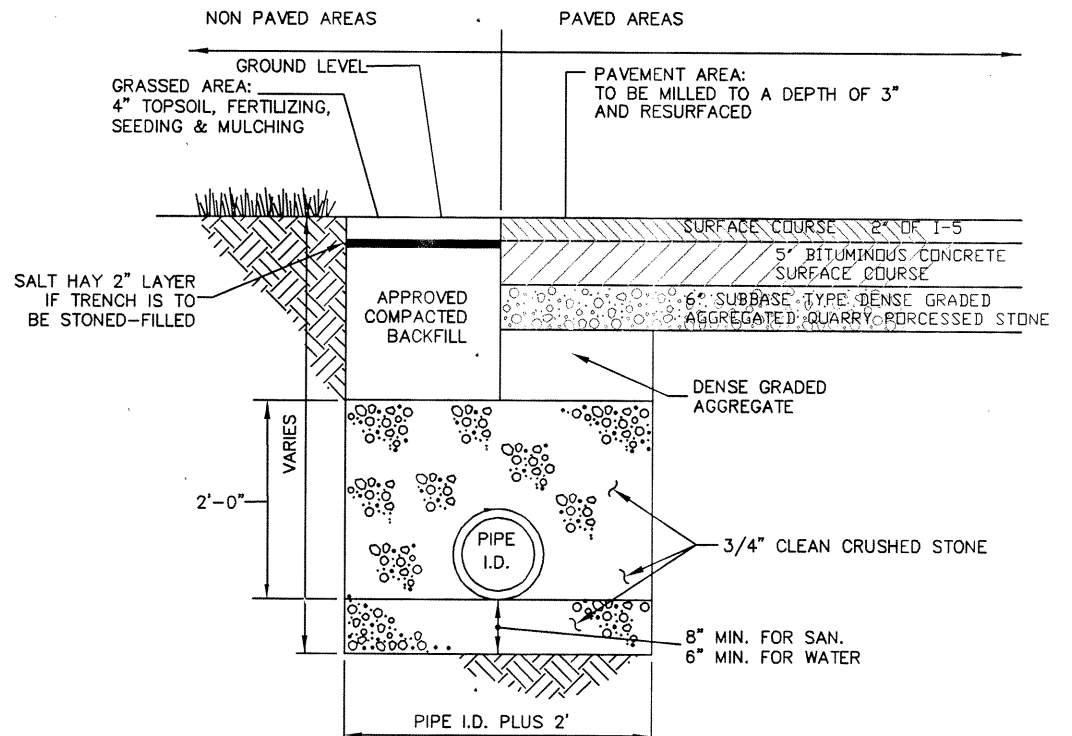
- GENERAL NOTES**
- ALL PRECAST CONCRETE STRUCTURES SHALL BE COATED WITH COAL TAR EPOXY OR APPROVED EQUAL.
  - INVERTS TO BE ELIMINATED IN BOTTOM OF TERMINAL INLETS. BOTTOMS SHALL BE DISHED AND SLOPED TOWARDS THE OUTLET PIPE AT A RATE OF GRADE OF 2 INCHES PER FOOT.
  - THIS INLET MAY BE CONSTRUCTED OF BRICK, CONCRETE OR CONCRETE BLOCK. IF BRICK OR CONCRETE BLOCK IS USED THE BOTTOM SHALL BE AS SHOWN FOR CONCRETE & THE OUTSIDE OF THE WALLS SHALL BE PLASTERED WITH 1/2" COAT OF 1:2 CEMENT SAND MORTAR.
  - FRAME AND GRATE TO BE CAMPBELL FOUNDRY NO. 2618 BICYCLE GRATE OR APPROVED EQUAL.
  - INVERT TO BE CLASS "C" CONCRETE.
  - FOOTER TO BE N.J.D.O.T. CLASS "D" CONC.



INLET DETAIL - TYPE "B"



N.T.S.



- NOTES:**
- COMPACTED BACKFILL TO BE FREE OF EXCESSIVE CLAY, ORGANIC MATERIAL AND BOULDERS.
  - RECYCLED CONCRETE IS NOT TO BE USED AS BACKFILL.

N.T.S.

1	11-25-2020	PER MUNICIPAL & COUNTY COMMENTS	G.B.S.
REV.	DATE	DESCRIPTION	BY
<b>CONSTRUCTION DETAILS FOR</b>			
<b>170 NORTH MAIN STREET</b>			
<b>LOT 1 BLOCK 301</b>			
BOROUGH OF WHARTON, MORRIS COUNTY, N.J.			
DRAWN BY: G.B.S.		SCALE: 1"=30'	
FILE No. 17-113		DWG 17113.DWG	
148 EAST MAIN STREET SUITE 100 ROCKAWAY, N.J. 07866		PHONE: 973-586-3736 FAX: 973-586-3739 SIRVEYOR@VERIZON.NET	
ALFRED A. STEWART, JR.		DATE: 08-10-2020	
CERTIFICATE OF AUTHORIZATION No. 24GA28093800			

ALFRED A. STEWART, JR.  
*Alfred A. Stewart, Jr.*  
 4/25/20  
 DATE: 08-10-2020  
 NJ PROFESSIONAL ENGINEER & LAND SURVEYOR, LIC. No. 24GB03588300

LAYOUT: DETAILS